

SECTION 11110

LAUNDRY WASHER-EXTRACTOR, 60 LB. (27.2 KG) CAPACITY

PART 1 GENERAL

1.01 SECTION INCLUDES:

- A. Automatic laundry washer-extractor for processing water-washed linen items

1.02 SYSTEM DESCRIPTION

A. DESIGN REQUIREMENTS:

1. Construction: 304 or equal stainless steel cylinder, tub & cover panels
2. Input voltage: 208-240/60/1-3 2-3 wire plus ground
3. Dry weight capacity: 60 lb. (27.2 kg)
4. Wash cylinder volume: 9.31 cu ft (263,000 cu cm) minimum
5. Overall width: 36-5/8 inches (930 mm) nominal
6. Overall height: 64-1/2 inches (1638 mm) nominal
7. Overall depth: 45 inches (1143 mm) nominal
8. Number & size of water supply inlet valves: [4] at 3/4 inch (19 mm); 3/4NH (19 mm) male connections
9. Number & size of drain outlets: 1 at 3 inch (76 mm)
10. Overflow: Internally plumbed
11. Control system: Programmable microprocessor
12. Cylinder drive: Single motor, 5 hp with inberter drive, capable of 813 RPM through direct drive V belt.

B. PERFORMANCE REQUIREMENTS:

1. Number of cylinder speeds: 8, including 1/2 wash speed for processing delicate items
2. G-force at highest extract speed: 300
3. Chemical supply system options:
 - a. automatic flushing & connections for 5 external supply lines & control signals for 8 external supplies
 - b. manually filled 5 compartment dry chemical dispensing system
4. Configured for possible future addition of water reuse system
5. Through the door jet-spray rinse system
6. Control system
 - a. Programmable microprocessor; (manual keypad, Windows PDA or PC);
 - b. 41 cycle capacity with graphic display of words or icons
 - c. PC software interface with laundry management reports, network capability
 - d. Real-time clock allows time/date stamp of 100+ items; maintenance reminders
 - e. 30 programmable water levels
 - f. Temperature controlled fil and thermal cool-down capable

- g. Water monitoring: slow drain and auto leak detection system
- h. Diagnostic capabilities
- 7. Drain valve automatically opens in event of power failure

1.03 DELIVERY, STORAGE & HANDLING

A. ACCEPTANCE AT SITE:

- 1. Inspect machine for damage prior to acceptance. If damage is found, follow freight handler's procedure for claims.

B. STORAGE & PROTECTION

- 1. Machine should be stored in a site protected from weather, direct sunlight & temperature extremes. Do not remove packaging prior to storage.
- 2. If machine is to be stored for an extended period of time, consult manufacturer for special requirements.

1.04 SYSTEM STARTUP & COMMISSIONING

- A. Machine installation should be inspected by local manufacturer's representative prior to startup & operation. The party installing the machine is responsible for setting the schedule for this inspection.

PART 2 PRODUCTS

- A. Source quality
- B. Alliance Laundry Systems LLC - UniMac, obtain commercial laundry equipment from a single manufacturer

1.02 QUALIFIED MODELS

- A. UniMac model **UWN060T3V** (no substitution)

PART 3 EXECUTION

1.01 INSTALLATION

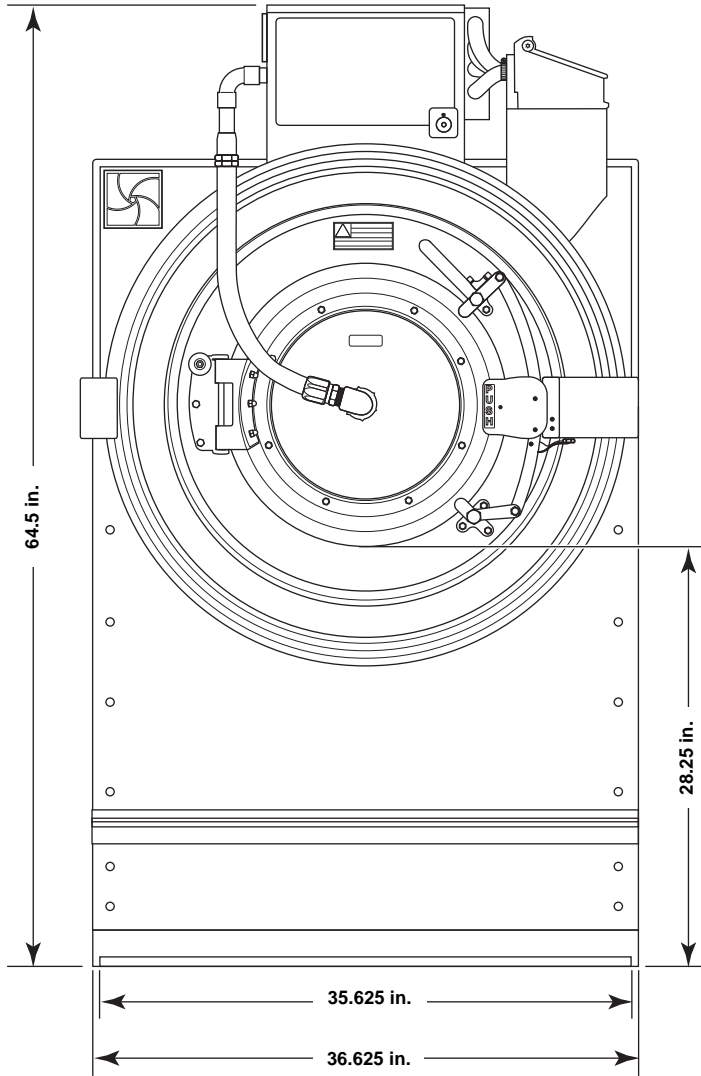
- A. Refer to & comply with manufacturer's installation instructions. Do not deviate without permission from site owner, architect, general contractor & manufacturer's local representative.

Machine Dimensions and Specifications

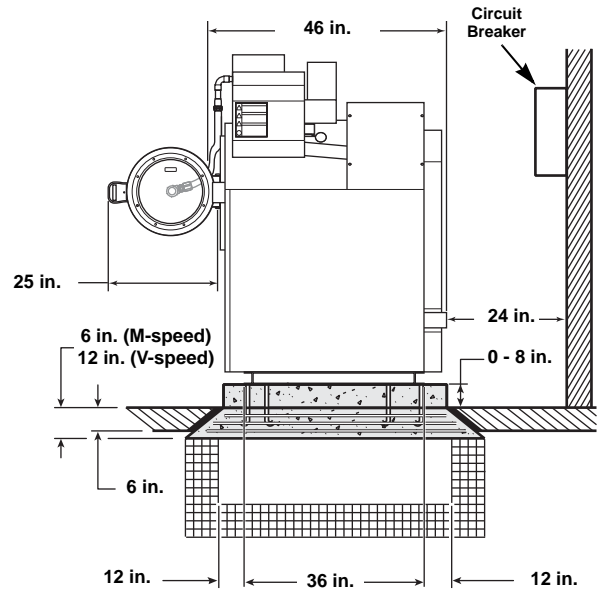
Models UWN060T3MX, UWN060T3MR,
UWN060T3VX and UWN060T3VR



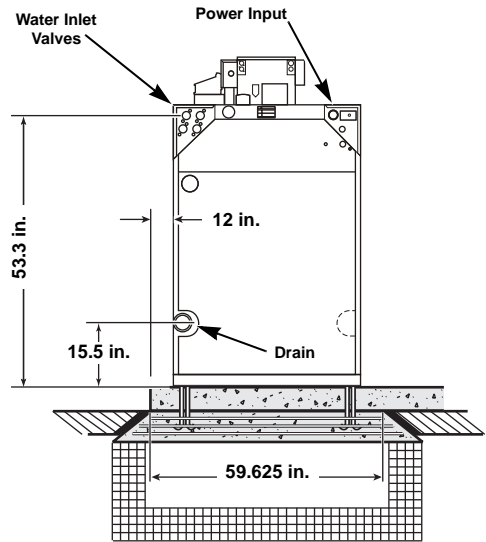
Dimensions and Foundation Requirements



Front



Right



Back

PHM779N

Electrical Specifications

Voltage Designation					Non-Electric Heat Machines (Standard)			
Code	Voltage	Cycle	Phase	Wire	Full Load Amps	Breaker (Non Fused)	AWG	mm ²
X	200-240	50/60	1/3	2/3	15/9	20/15	12/14	4/2.5
R	308-480	50/60	3	3	7	15	14	2.5

Water, Drain and Weight Specifications

Drain: Number (Size)	1 (3 in.)
Fill Water Inlets: Number (Size)	4 (Fill: 0.75 in. Spray: 0.5 in.)
Weight: Machine (With Shipping Packaging)	1300 lbs. (1340 lbs.)
Side Clearance:	6 in. (minimum) 18 in. (recommended)